

SRP **heatPRO**™

RADIANT CONSTRUCTION HEATER



When Performance Matters in Temporary Heat



**Heavy
Duty**



Efficient



www.irenergy.ca ♦ info@irenergy.ca ♦ Tel. (905) 664-9082

SRP heatPRO™

RADIANT CONSTRUCTION HEATER



MADE IN CANADA

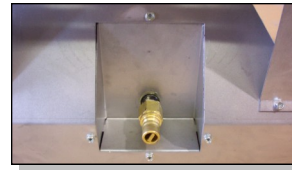
Drywall, Tape/Mud, and Cure Concrete Faster!



- Heavy Duty Design
- Tip-over safety switch
- Built-in thermostat
- Modulating gas valve
- Internal reflectors to control heat pattern
- No electricity required
- Built-in hanging points



- Built-in 'Piezo Ignition'
- Dial allows user to choose from 7 different inputs/outputs for ultimate flexibility, comfort, control, and efficiency

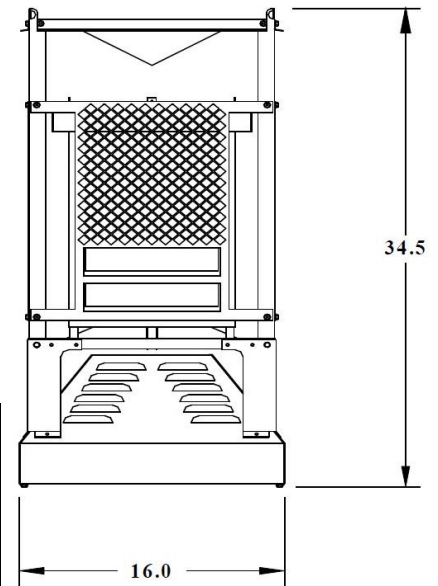


- Easy to use 'Quick Connect' fuel hose connections



APPLICATIONS

- CONSTRUCTION SITES
- EMERGENCY HEAT
- WORKSHOPS
- UNHEATED WORK AREAS
- ...AND MANY MORE!



Part No.	Fuel	Rate (BTU/HR)	Manifold Pressure	Connection (included)
*HP10N	NG	60,000 - 100,000	5" WC	1/2" Male Quick Connect
*HP10P	LPG	60,000 - 100,000	10" WC	3/8" Male Quick Connect

***25ft Fuel Hoses and 'Quick Connect' Kits Available**

KG033 - Pressure Tested, LPG Fuel Hose Assembly Kit w/ Female Quick Connect and Regulator

KG034 - NG Fuel Hose Kit w/ Female Quick Connect

CLEARANCE TO COMBUSTIBLES = 32" ABOVE, 42" TO THE SIDE



DEALER INFORMATION:

www.irenergy.ca ♦ info@irenergy.ca ♦ Tel. (905) 664-9082