



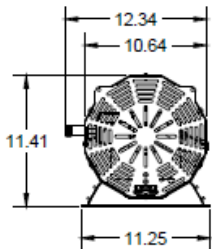
Specification Sheet

theHABANERO Radiant Patio Heater

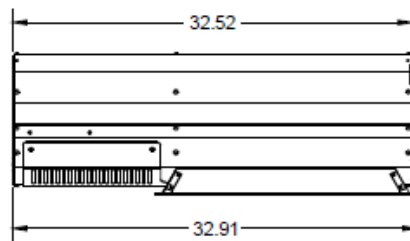
Series Habanero - HAB Models

SPECIFICATIONS	MODEL HAB-M20	MODEL HAB-M40	MODEL HAB-M50
Electrical Supply	Wired 24V AC Control Circuit, 60 Hz with L, N and Ground (GND)		
Transformer Required	20VA per unit		
Control	Two-Stage, Direct Spark		
Fuel	NG Only		
Inlet Connection	1/2" Male NPT		
Operating Pressure NG	Min 7" W.C / Max 14" W.C		
High Fire NG	20,000 BTU/HR	40,000 BTU/HR	50,000 BTU/HR
Low Fire NG	15,000 BTU/HR	32,000 BTU/HR	42,000 BTU/HR

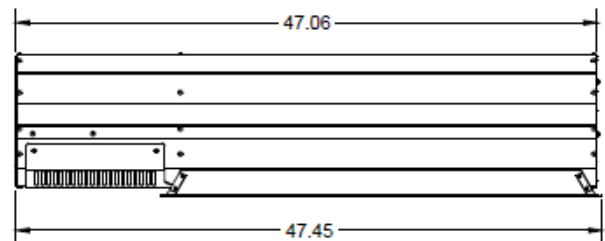
ALL MODELS



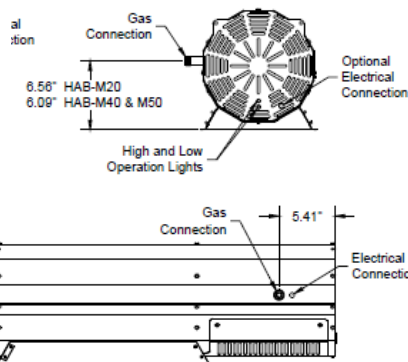
MODEL HAB-M20



MODEL HAB-M40 & HAB-M50

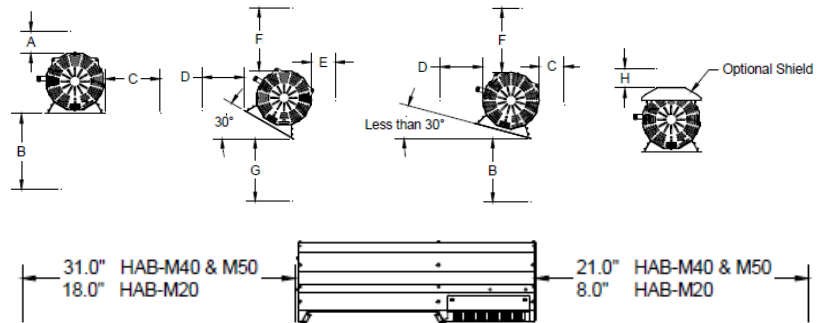


GAS & ELECTRICAL LOCATIONS

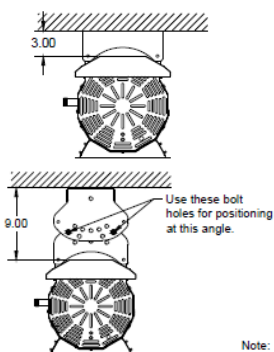


CLEARANCE TO COMBUSTIBLES

Model #	Dim A	Dim B	Dim C	Dim D	Dim E	Dim F	Dim G	Dim H
HAB-M20	9	47	17	29	8.5	9	38	3
HAB-M40	13	75	34	48	10	16	66	9
HAB-M50	13	75	34	48	10	16	66	9

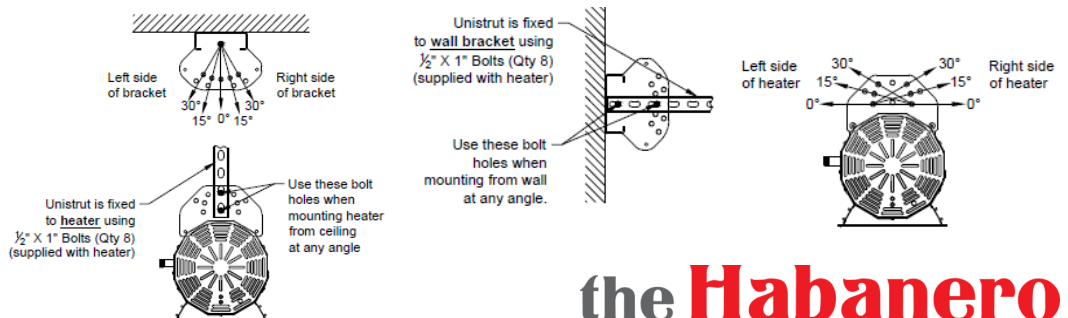


LOW CLEARANCE MOUNTING KITS (optional)



Note: Other

STANDARD CEILING & WALL MOUNTING KITS (optional)



Note: Other clearances must be maintained as per clearance to combustibles

the Habanero
RADIANT PATIO HEATER