



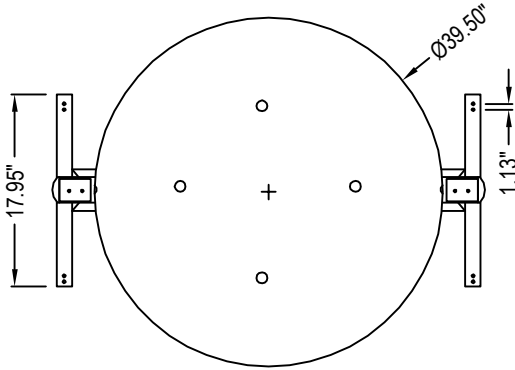
IR ENERGY INC.
 563 BARTON STREET
 STONEY CREEK, ON L8E 5S1
 PHONE: (905) 664-9082
 www.irenergy.ca

SELECT DESIRED GAS:

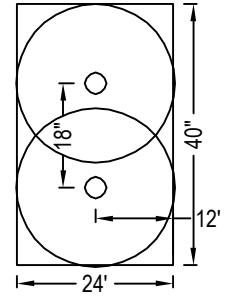
- NATURAL GAS
- PROPANE

SELECT DESIRED FINISH:

- 304 STAINLESS STEEL
- BLACK POWDER COAT
- CUSTOM POWDER COAT
 SPECIFY: _____



FRONT ELEVATION



TYPICAL COVERAGE
 TWO HEATERS

TECHNICAL SPECIFICATIONS:

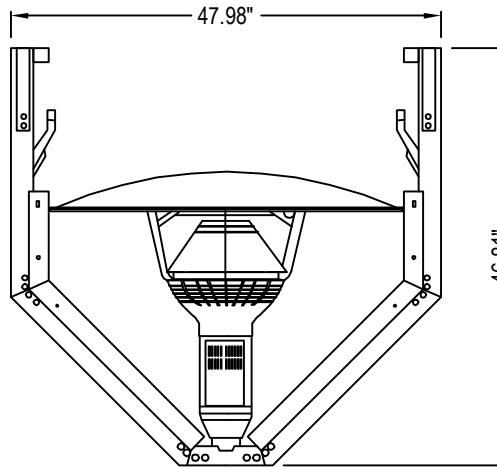
- HIGH FIRE - 53,000BTU/HR (NG)
 47,000BTU/HR (LPG)
- LOW FIRE - 46,000BTU/HR (NG)
 40,000BTU/HR (LPG)
- MANIFOLD PRESSURE: NG - 5.5" W.C.
 (HI), 4.0" W.C. (LO) | LPG - 9.8" W.C.
 (HI), 7.0" W.C. (LO)
- GAS SUPPLY PRESSURE: NG -
 6.5" W.C. (MIN), 14.0" W.C. (MAX) |
 LPG: 11.0" W.C. (MIN), 14.0" W.C.
 (MAX)
- ELECTRICAL SUPPLY: 24 VOLTS, 0.8
 AMPS
- DIRECT SPARK IGNITION WITH 3-TRY
 LOCK OUT & AUTOMATIC RE-LIGHT

WARRANTY:

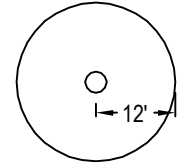
- 3 YEARS ON 316 STAINLESS STEEL
 EMITTER
- 1 YEAR ON ALL OTHER PARTS

NOTES:

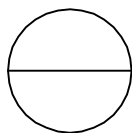
1. INSTALLATION TO BE COMPLETED IN ACCORDANCE WITH MANUFACTURER'S SPECIFICATIONS.
2. DO NOT SCALE DRAWING.
3. THIS DRAWING IS INTENDED FOR USE BY ARCHITECTS, ENGINEERS, CONTRACTORS, CONSULTANTS AND DESIGN PROFESSIONALS FOR PLANNING PURPOSES ONLY. THIS DRAWING MAY NOT BE USED FOR CONSTRUCTION.
4. ALL INFORMATION CONTAINED HEREIN WAS CURRENT AT THE TIME OF DEVELOPMENT BUT MUST BE REVIEWED AND APPROVED BY THE PRODUCT MANUFACTURER TO BE CONSIDERED ACCURATE.
5. CONTRACTOR'S NOTE: FOR PRODUCT AND COMPANY INFORMATION VISIT www.CADdetails.com/info AND ENTER REFERENCE NUMBER 5029-006.



FRONT ELEVATION
 MODEL GA301-H



TYPICAL COVERAGE
 ONE HEATER



EVENGLO

EVENGLO HANGING SERIES: MODEL GA301H