



IR ENERGY INC.  
 563 BARTON STREET  
 STONEY CREEK, ON L8E 5S1  
 PHONE: (905) 664-9082  
 www.irenergy.ca

SELECT DESIRED GAS:

- PROPANE     NATURAL GAS

SELECT DESIRED FINISH:

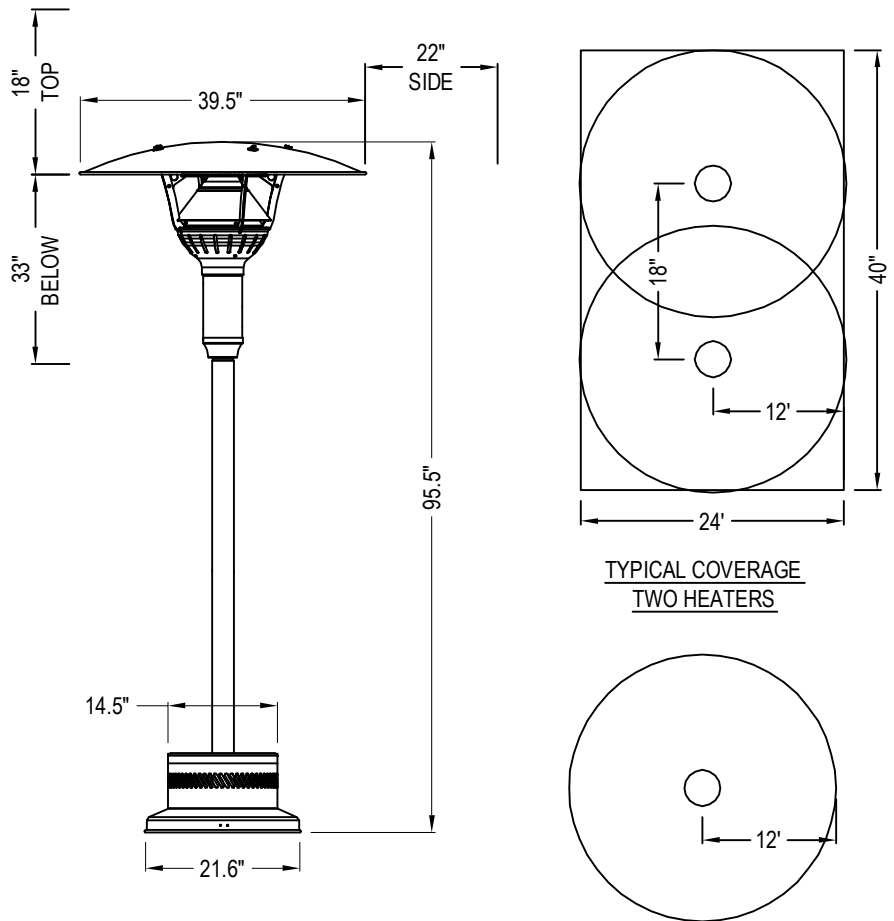
- 316 MARINE GRADE STAINLESS STEEL  
 304 STAINLESS STEEL  
 BLACK POWDER COAT  
 CUSTOM POWDER COAT  
 SPECIFY: \_\_\_\_\_

**TECHNICAL SPECIFICATIONS:**

- HIGH FIRE - 53,000BTU/HR
- GAS MANIFOLD PRESSURE: NG - 5.5" W.C.
- GAS SUPPLY PRESSURE: NG - 6.5" W.C. (MIN) 14.0" W.C. (MAX)
- ONE-PIECE HEAVY-DUTY REFLECTOR
- 1 x AA BATTERY POWERED IGNITION
- PILOT WITH THERMOCOUPLE
- ELECTRONIC TILT SAFETY SHUT-OFF SWITCH AT 15 DEGREES
- REGULATOR PROVIDED WITH QUICK CONNECT

**WARRANTY:**

- 3 YEARS ON 316 STAINLESS STEEL EMITTER
- 1 YEAR ON ALL OTHER PARTS



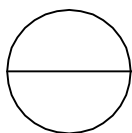
FRONT ELEVATION  
 MODEL: GA301- MP  
 \*CLEARANCES TO COMBUSTIBLES

TYPICAL COVERAGE  
TWO HEATERS

TYPICAL COVERAGE  
ONE HEATER

**NOTES:**

1. INSTALLATION TO BE COMPLETED IN ACCORDANCE WITH MANUFACTURER'S SPECIFICATIONS.
2. DO NOT SCALE DRAWING.
3. THIS DRAWING IS INTENDED FOR USE BY ARCHITECTS, ENGINEERS, CONTRACTORS, CONSULTANTS AND DESIGN PROFESSIONALS FOR PLANNING PURPOSES ONLY. THIS DRAWING MAY NOT BE USED FOR CONSTRUCTION.
4. ALL INFORMATION CONTAINED HEREIN WAS CURRENT AT THE TIME OF DEVELOPMENT BUT MUST BE REVIEWED AND APPROVED BY THE PRODUCT MANUFACTURER TO BE CONSIDERED ACCURATE.
5. CONTRACTOR'S NOTE: FOR PRODUCT AND COMPANY INFORMATION VISIT [www.CADdetails.com/info](http://www.CADdetails.com/info) AND ENTER REFERENCE NUMBER 5029-019.



**EVENGLO**

EVENGLO PORTABLE SERIES: MODEL GA301MP