



IR ENERGY INC.  
 563 BARTON STREET  
 STONEY CREEK, ON L8E 5S1  
 PHONE: (905) 664-9082  
 www.irenergy.ca

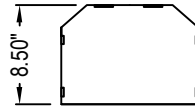
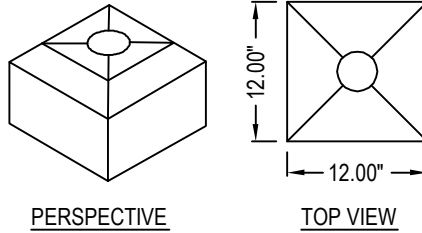
SELECT DESIRED GAS:

- NATURAL GAS
- PROPANE

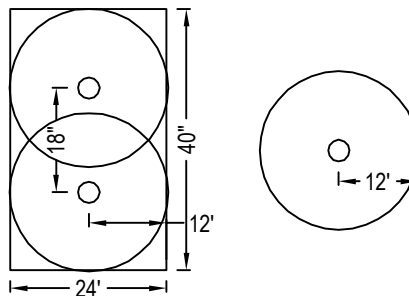
SELECT DESIRED FINISH:

- 304 STAINLESS STEEL
- BLACK POWDER COAT
- CUSTOM POWDER COAT SPECIFY: \_\_\_\_\_

OPTIONAL GAS CONNECTION COVER  
 HEAT COVERAGE

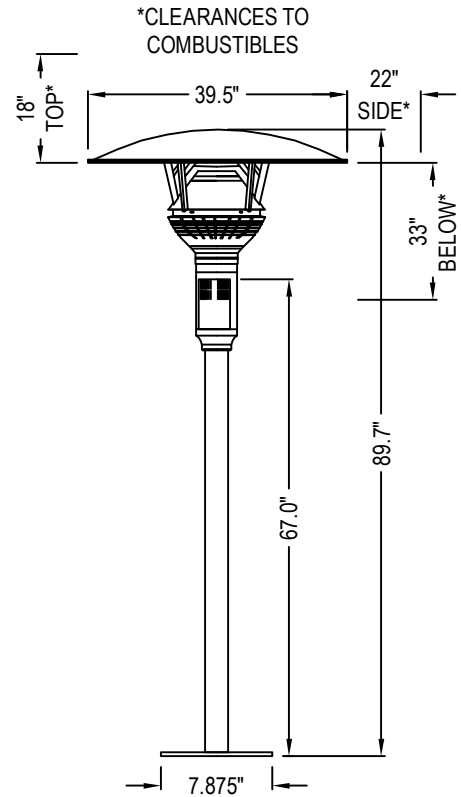


FRONT & SIDE  
 ELEVATION

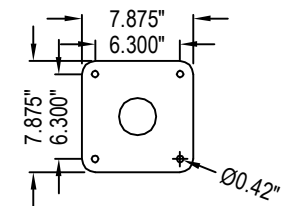


TYPICAL COVERAGE  
 TWO HEATERS

TYPICAL COVERAGE  
 ONE HEATER



FRONT ELEVATION -MODEL GA301



BOTTOM MOUNTING PLATE

**TECHNICAL SPECIFICATIONS:**

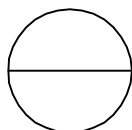
- HIGH FIRE - 53,000BTU/HR (NG)  
 47,000BTU/HR (LPG)
- LOW FIRE - 46,000BTU/HR (NG)  
 40,000BTU/HR (LPG)
- MANIFOLD PRESSURE: NG -  
 5.5\" W.C. (HI), 4.0\" W.C. (LO) | LPG -  
 9.8\" W.C. (HI), 7.0\" W.C. (LO)
- GAS SUPPLY PRESSURE: NG -  
 6.5\" W.C. (MIN), 14.0\" W.C. (MAX) |  
 LPG: 11.0\" W.C. (MIN), 14.0\" W.C.  
 (MAX)
- ELECTRICAL SUPPLY: 24 VOLTS, 0.8  
 AMPS
- DIRECT SPARK IGNITION WITH  
 3-TRY LOCK OUT & AUTOMATIC  
 RE-LIGHT

**WARRANTY:**

- 3 YEARS ON 316 STAINLESS STEEL  
 EMITTER
- 1 YEAR ON ALL OTHER PARTS

**NOTES:**

1. INSTALLATION TO BE COMPLETED IN ACCORDANCE WITH MANUFACTURER'S SPECIFICATIONS.
2. DO NOT SCALE DRAWING.
3. THIS DRAWING IS INTENDED FOR USE BY ARCHITECTS, ENGINEERS, CONTRACTORS, CONSULTANTS AND DESIGN PROFESSIONALS FOR PLANNING PURPOSES ONLY. THIS DRAWING MAY NOT BE USED FOR CONSTRUCTION.
4. ALL INFORMATION CONTAINED HEREIN WAS CURRENT AT THE TIME OF DEVELOPMENT BUT MUST BE REVIEWED AND APPROVED BY THE PRODUCT MANUFACTURER TO BE CONSIDERED ACCURATE.
5. CONTRACTOR'S NOTE: FOR PRODUCT AND COMPANY INFORMATION VISIT [www.CADdetails.com/info](http://www.CADdetails.com/info) AND ENTER REFERENCE NUMBER 5029-005.



**EVENFLO**

EVENFLO FIXED SERIES: MODEL GA301